



HPU HANDING CONFIRMATION

SO NUMBER (INTERNAL USE)	WO NUMBER (INTERNAL USE)
------------------------------------	------------------------------------

ROOF TOP PACKAGED UNITS (RTU)

MODELS	All
GENERAL	This document details the airside configurations available on all HPU models.
SOURCING	Standard configuration is detailed in the unit general arrangement drawings. Optional airside configurations to be specified at time of order.
HOW TO USE THIS DOCUMENT	<ol style="list-style-type: none"> 1. Choose if the supply air fan position is required on the left or right. 2. Circle the required supply air outlet. 3. Circle the required return air inlet. 4. Complete the information at the bottom of this document and return to your APAC representative.

LEFT HAND SUPPLY AIR (STANDARD)

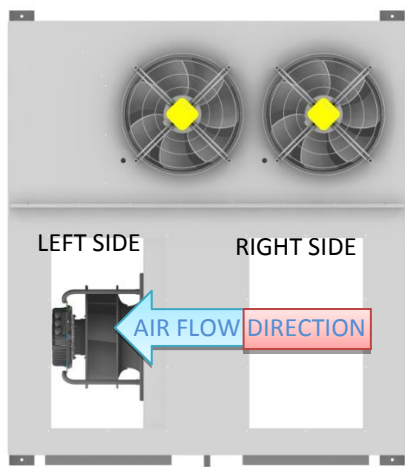


Fig1. Left hand unit from the top view

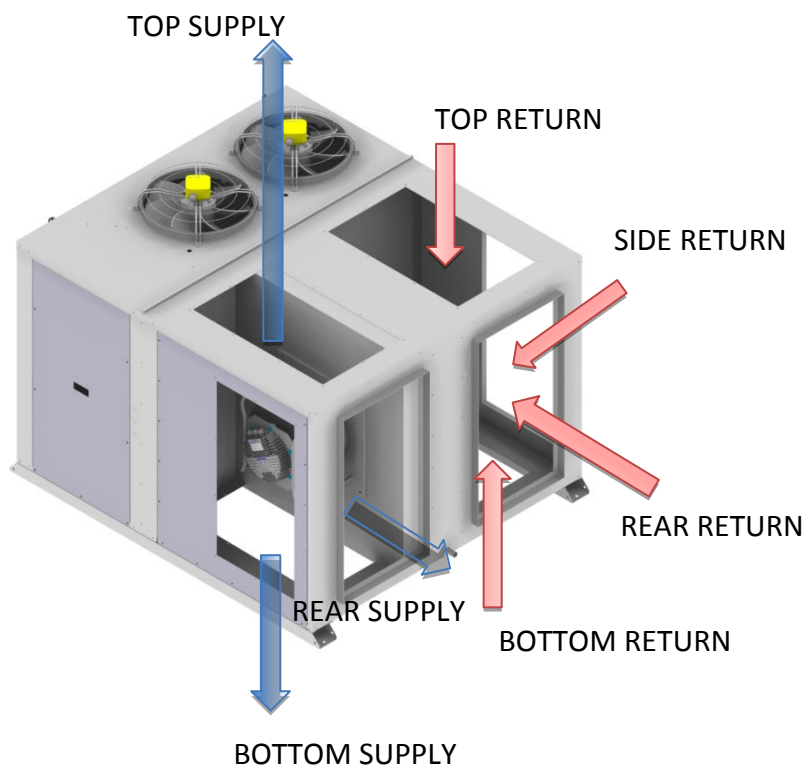


Fig2. Air flow schematic of the left hand unit

RIGHT HAND SUPPLY AIR (OPTIONAL)

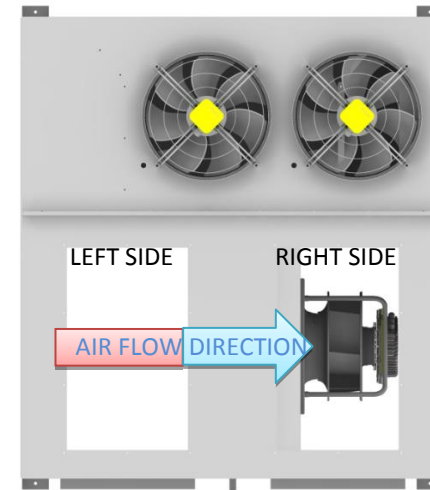


Fig3. Right hand unit from top view

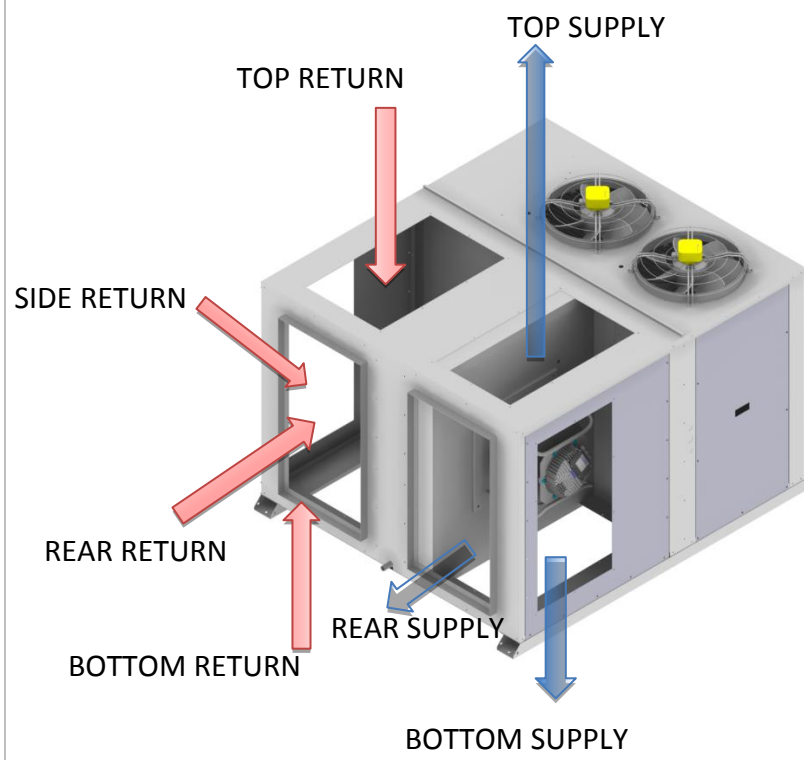
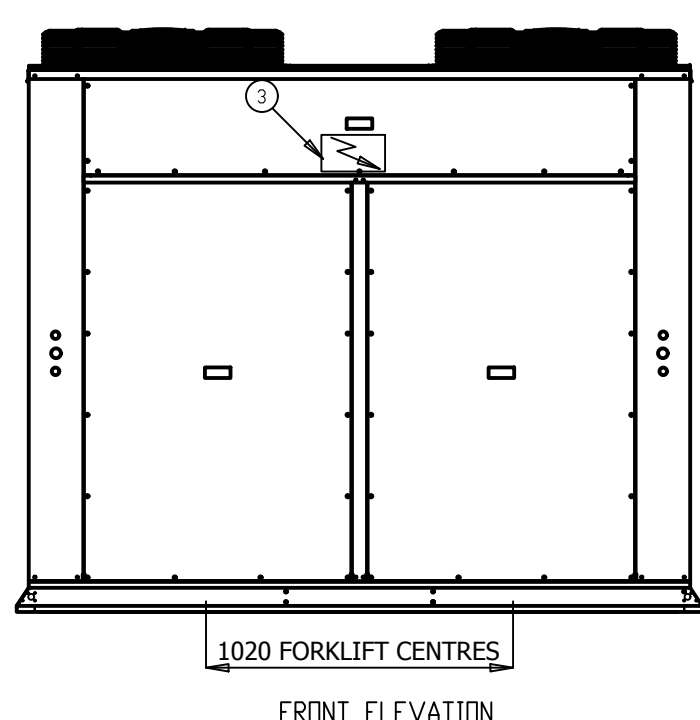
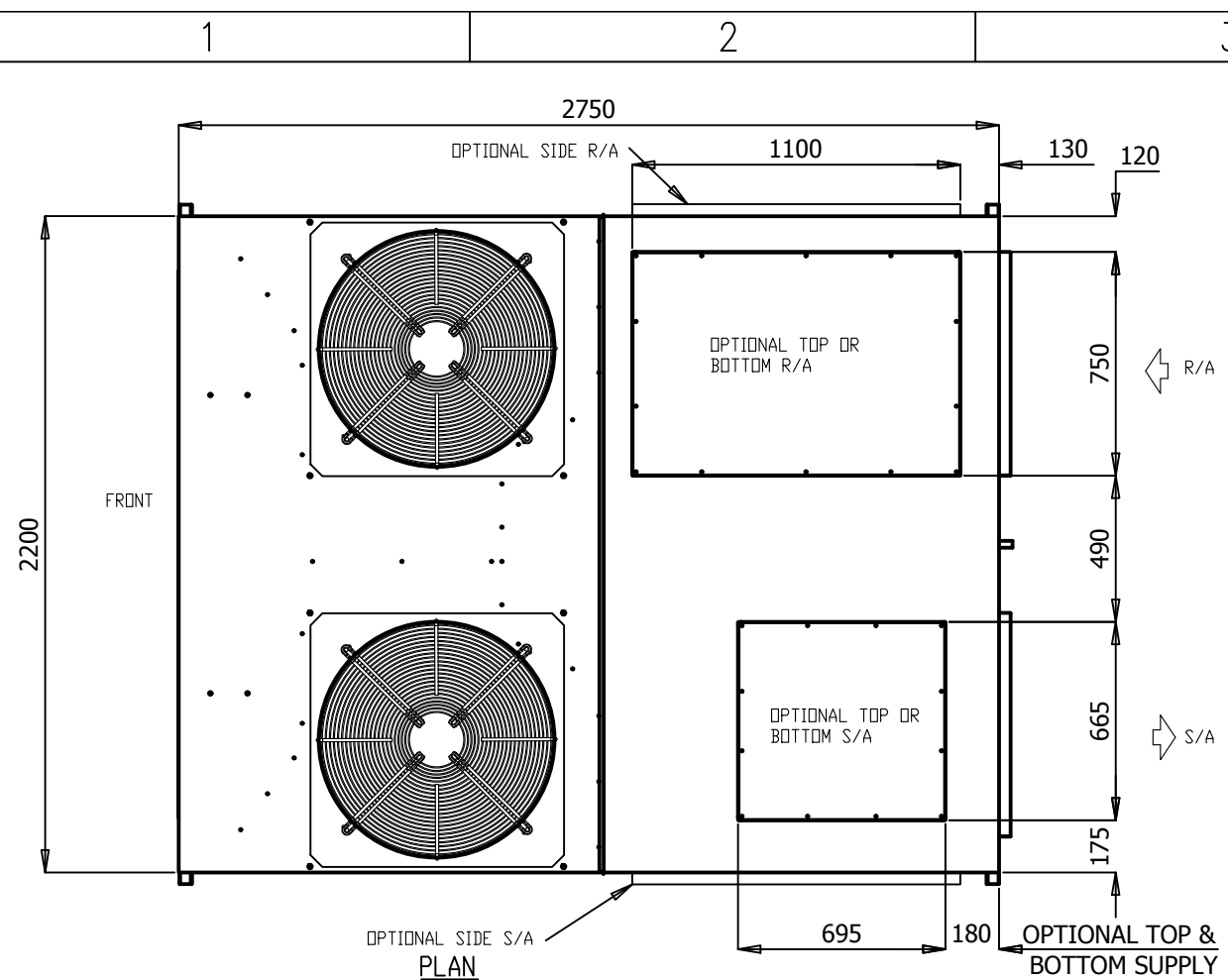


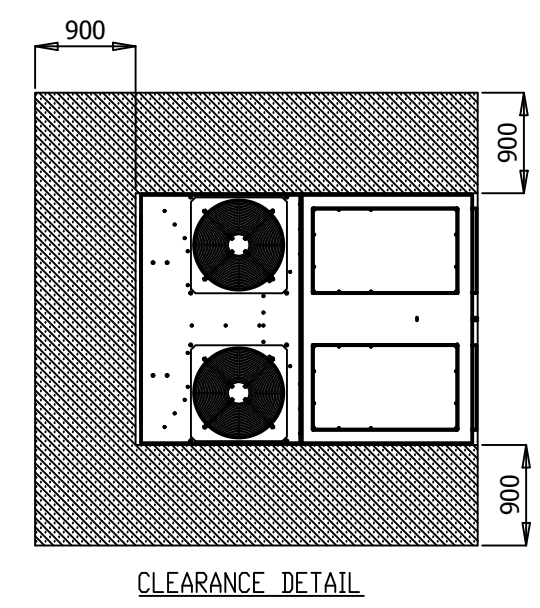
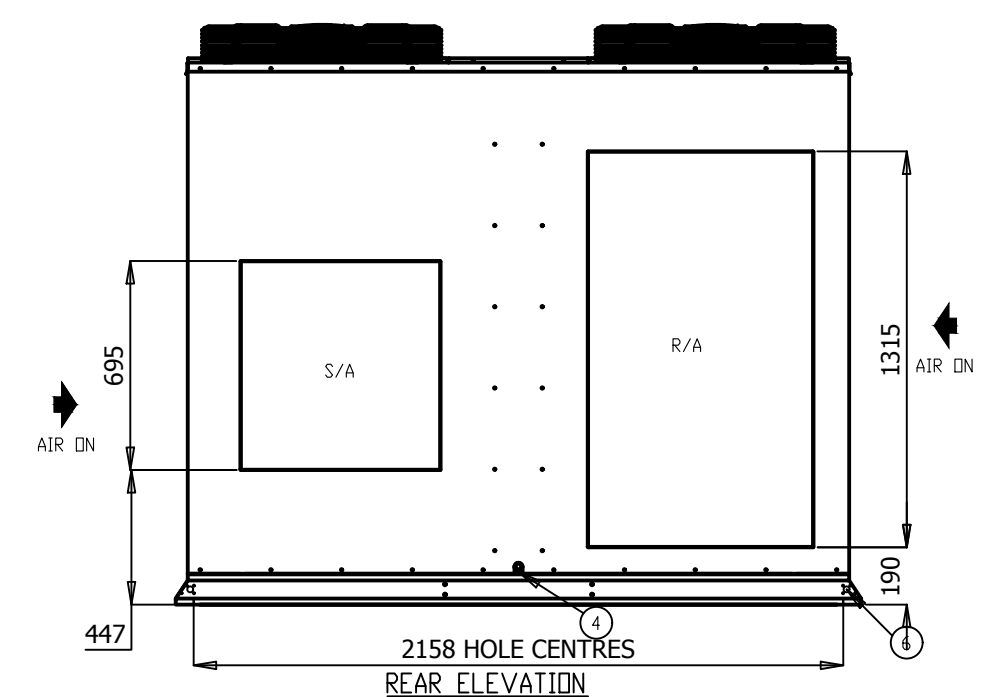
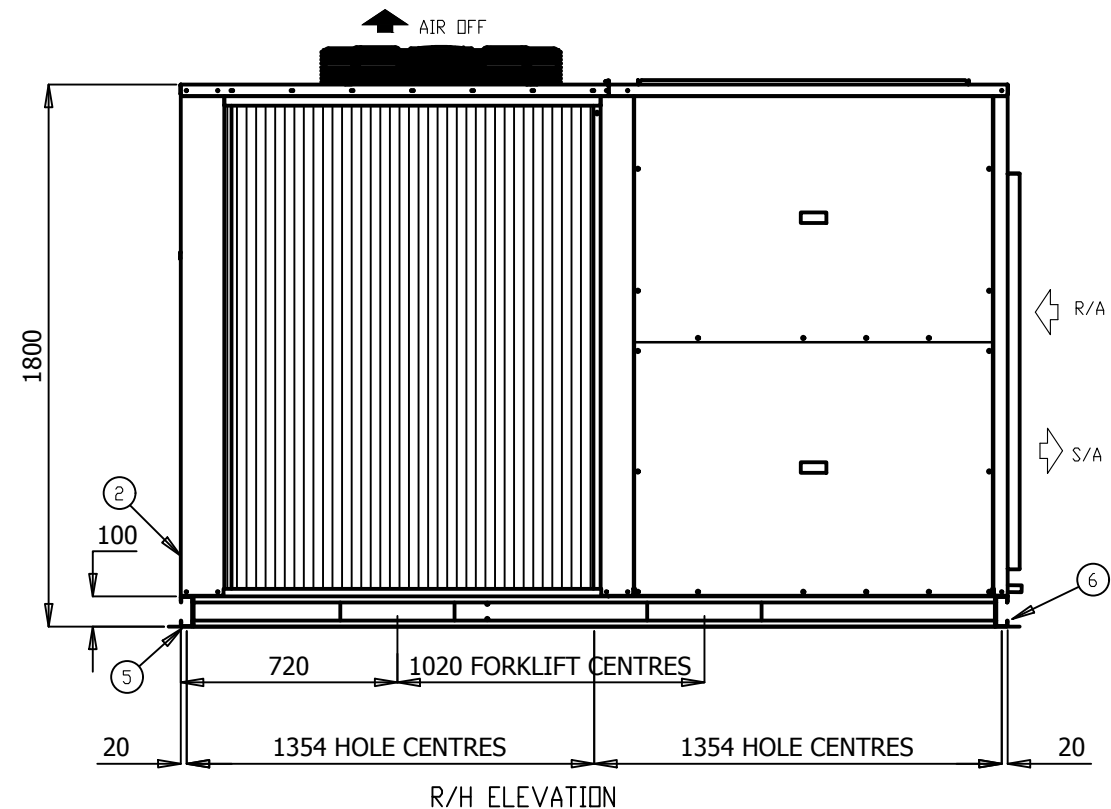
Fig 4. Air flow schematic of the right hand unit

CUSTOMER TO COMPLETE AND RETURN

CUSTOMER	PROJECT	UNIT REF	NAME / SIGN	DATE



- NOTES:
1. GENERAL ARRANGEMENT OF A HORIZONTAL AIR COOLED PACKED UNIT
 2. POWER AND FIELD CABLE ENTRIES, 1 x 32 ϕ AND 2 x 25 ϕ
 3. ELECTRICAL PANEL LOCATED BEHIND SERVICE ACCESS
 4. CONDENSATE OUTLET 32 ϕ
 5. UNIT BASE 6 x 16 ϕ FIXING POINTS
 6. UNIT HAS 4 x 20 ϕ LIFTING POINTS
 7. UNIT CONFIGURATION AS STANDARD IS REAR LEFT SUPPLY, REAR RIGHT RETURN, OTHER CONFIGURATIONS AVAILABLE.
 8. UNIT CONFIGURATION CAN BE CONVERTED IN FIELD WITH OPTIONAL ACCESSORIES.



- ALL DIMENSIONS IN mm.
- GENERAL TOLERANCE ± 1 mm.
- DO NOT SCALE DRAWING.
- MASTER DRAWINGS ARE HELD ELECTRONICALLY. ANY COPY IS DEEMED UNCONTROLLED AND THEREFORE NOT NECESSARILY THE LATEST REVISION.
- ALL INFORMATION REMAINS THE PROPERTY OF THE COMPANY.

GENERAL ARRANGEMENT

P085AHR3SA- P095AHR3SA-

www.apacair.com.au

ABN: 74 005 138 769

REVISION	REVISED NAMEPLATE WITH APAC DETAILS			
	DRAWN	MT	DRAWING No. A4	
	DATE	14.07.17	GAD0088	
	SCALE	N.T.S.		
	CHECKED	HA	APP'D.	CM

TECHNICAL DATA SHEET

MODEL NUMBER		P055AHR3SA-	P065AHR3SA-	P075AHR3SA-	P085AHR3SA-	P095AHR3SA-	
MEPS REGISTRATION NUMBER		AAC3206	AAC3215	N/A	N/A	N/A	
CONDENSER SECTION	CAPACITY						
	Cooling	kW TOTAL*	52.98	63.89	72.95	83.74	94.04
		kW SENSIBLE*	44.29	54.50	58.51	69.34	77.49
		EER (kW / ikW)*	3.06	3.28	3.49	3.47	3.24
	Heating	kW TOTAL	54.40	65.00	73.40	84.30	96.08
		COP	3.40	3.61	3.59	3.60	3.60
	CAPACITY STEPS (%)		50/100	50/100	50/100	50/100	50/100
	COMPRESSOR						
	TYPE		SCROLL	SCROLL	SCROLL	SCROLL	SCROLL
	STARTER TYPE		D.O.L (Opt Soft/Start)	D.O.L (Opt Soft/Start)	D.O.L (Opt Soft/Start)	D.O.L (Opt Soft/Start)	D.O.L (Opt Soft/Start)
	PHASE		3Ø	3Ø	3Ø	3Ø	3Ø
	No. OFF		2	2	2	2	2
	PROTECTION DEVICES		HP SWITCH, LP SWITCH, MOTOR OVERLOAD'S				
	ALL COMPRESSORS HAVE		CRANKCASE HEATER				
	FAN						
	TYPE		AXIAL	AXIAL	AXIAL	AXIAL	AXIAL
	ikW (MAX INPUT)		0.97	0.93	0.93	0.93	0.93
	PHASE		3Ø	3Ø	3Ø	3Ø	3Ø
	No. OFF		2	2	2	2	2
	FAN SPEED CONTROL		VARIABLE SPEED	VARIABLE SPEED	VARIABLE SPEED	VARIABLE SPEED	VARIABLE SPEED
HEAT EXCHANGER							
TYPE		PLATE FIN COIL	PLATE FIN COIL	PLATE FIN COIL	PLATE FIN COIL	PLATE FIN COIL	
NOM. AIRFLOW l/s		-	-	-	-	-	
REFRIGERANT SYSTEM							
TYPE		R410A					
CHARGE PER CIRCUIT (KG)		5.75	6.75	9.5	11	10.8	
No. OF CIRCUITS		2	2	2	2	2	
REFRIGERANT CONTROL		TXV					
ALL SYSTEMS INCLUDE		DRIERS & SIGHT GLASSES					
EVAPORATOR SECTION	FAN						
	TYPE		CENTRIFUGAL	CENTRIFUGAL	CENTRIFUGAL	CENTRIFUGAL	CENTRIFUGAL
	ikW (MAX INPUT)		3	2.73	2.73	2.82	2.82
	PHASE		3Ø	3Ø	3Ø	3Ø	3Ø
	No. OFF		1	2	2	2	2
	FAN SPEED CONTROL		VARIABLE SPEED	VARIABLE SPEED	VARIABLE SPEED	VARIABLE SPEED	VARIABLE SPEED
	HEAT EXCHANGER						
	TYPE		PLATE FIN COIL	PLATE FIN COIL	PLATE FIN COIL	PLATE FIN COIL	PLATE FIN COIL
NOM. AIRFLOW l/s		2880	3550	3750	4400	4930	
EXT STATIC pa		100					
COMBINED SECTIONS	ELECTRICAL						
	MAINS POWER		415v / 3Ø / 50hz	415v / 3Ø / 50hz	415v / 3Ø / 50hz	415v / 3Ø / 50hz	415v / 3Ø / 50hz
	H.P. CUT OUT / IN kPa		4500 / 3450	4500 / 3450	4500 / 3450	4500 / 3450	4500 / 3450
	L.P. CUT OUT / IN kPa		175 / 345	175 / 345	175 / 345	175 / 345	175 / 345
	NOM. R.L.A. (TOTAL SYSTEM)		31.1	35.5	38.1	43.6	56.4
	MAX. F.L.A. (TOTAL SYSTEM)		49.8	55.4	61.4	73.6	79.6
	GENERAL						
	CABINET		GALVANISED SHEET STEEL				
	INSULATION		ALUMINIUM FOIL FACED POLYETHYLENE ACOUSTIC INSULATION				
	EXTERNAL FINISH		POLYESTER POWDER COAT - COLOUR LIGHT GREY AS STANDARD - OPTIONS AVAILABLE				
	DIMENSIONS						
	H X W X D (mm)		1390 x 1850 x 2400	1595 x 2200 x 2400		1800 x 2200 x 2750	
	WEIGHT						
OPERATING KG		730	900	920	1060	1070	
SHIPPING KG		735	905	925	1065	1075	
NOISE LEVELS [Based on condenser fan's sound data]							
Sound Power db(A)		70.9	71.5	71.5	71.5	71.5	

Note: Rated in accordance with Australian standard AS/NZS 3823.1:2012
Performance excludes ikW of evaporator fan motor.
R.L.A - Run Load Amps are based on current drawn at nominal conditions
F.L.A - Full Load Amps are based on the overload settings [Max Current] of all Compressor and Fan Motor(s).

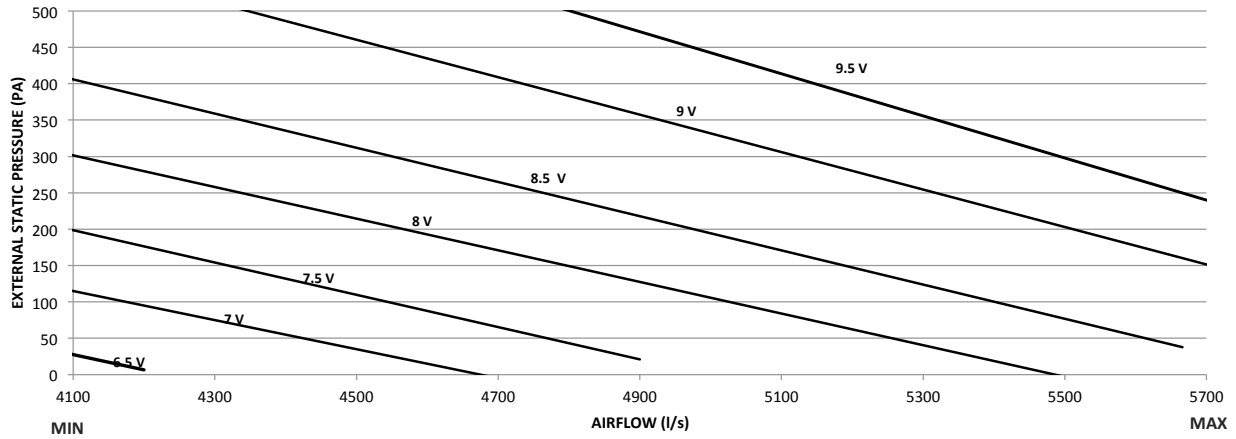
Date	Document #	Approved By	Revision
31/05/18	TDS0018	CM	D

NOTE: Due to continuous improvement Rinnai Australia Pty Ltd reserve the right to change details without notice.

FAN PERFORMANCE CURVE

P095AHR3SA-

FAN PERFORMANCE CURVE P095AHR3SA-



Note:

1. 6.5 V, 7V, 7.5V, 8V, 8.5V, 9V and 9.5V represents potentiometer voltage. Potentiometer can be adjusted to achieve desired flowrates.
2. Potentiometer voltage can be varied infinitely between 0 to 10V.

Date	Document #	Approved By	Revision
28.05.18	FPC0022	CM	D

NOTE: Due to continuous improvement Rinnai Australia Pty Ltd reserve the right to change details without notice.



SOUND DATA

MODEL NUMBER	P095AHR3SA-
---------------------	--------------------

Outdoor Fan

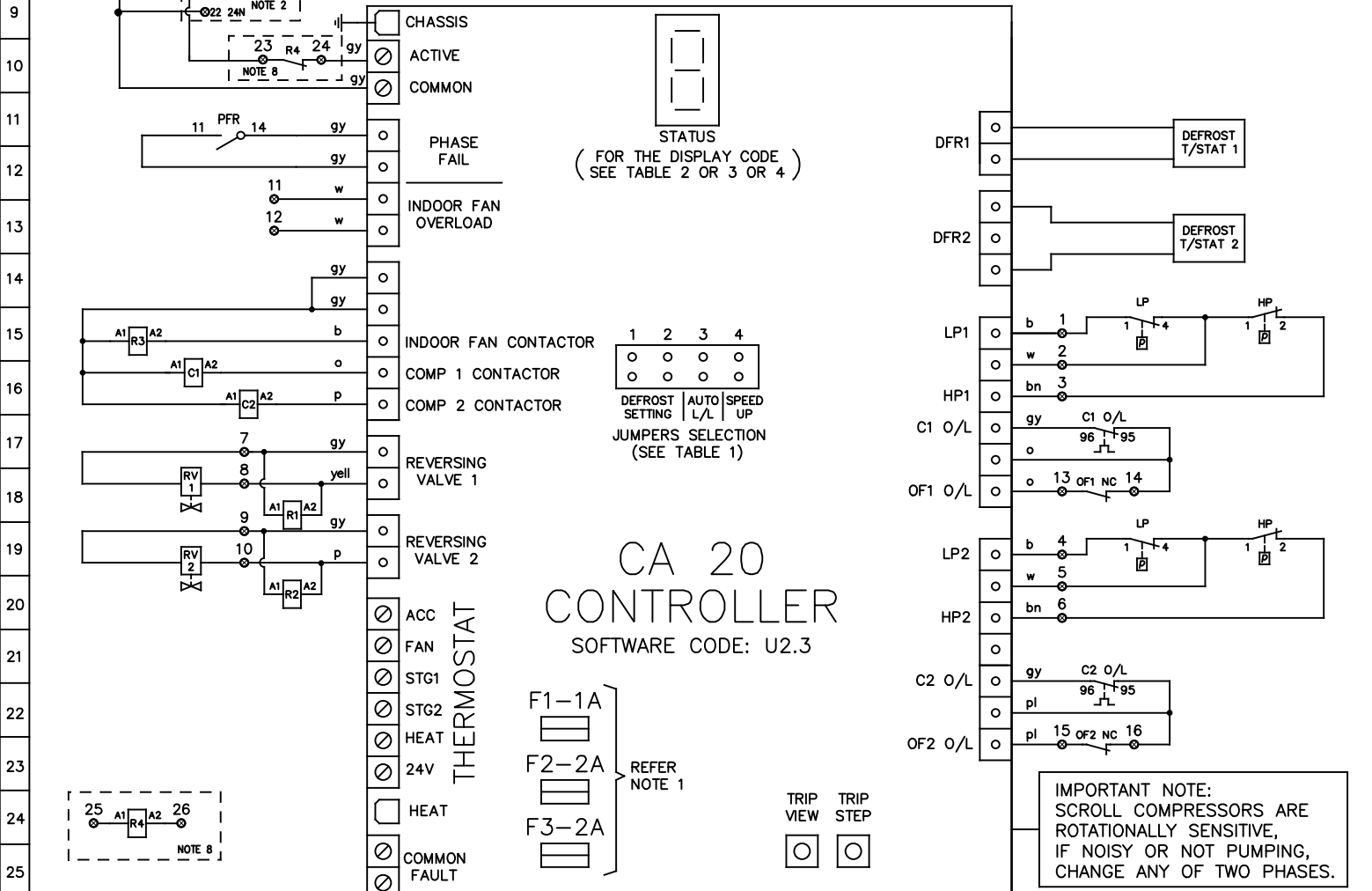
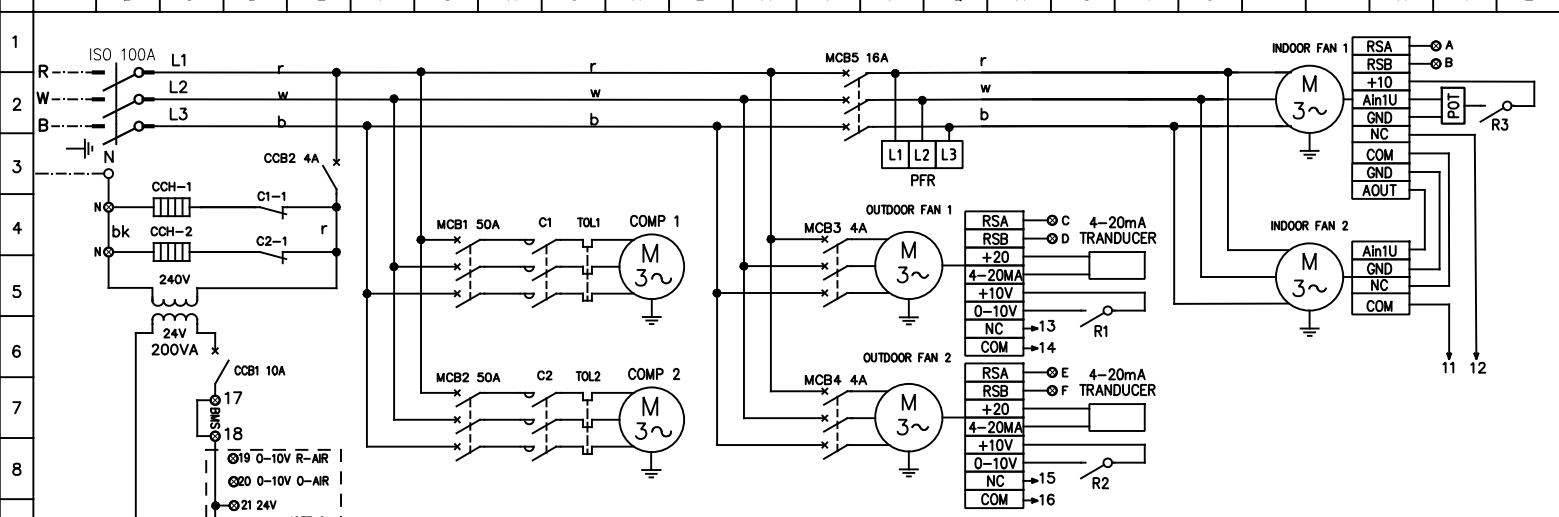
Sound Power Level dB(A)	Octave band Centre Frequency (Hz), dB						
	125	250	500	1k	2k	4k	8k
71.5	73.9	68.9	66.5	64.6	65.7	62	58.4

Indoor Fan

Sound Power Level dB(A)	Air Flow (l/s)	Octave band Centre Frequency (Hz), dB						
		125	250	500	1k	2k	4k	8k
88.9	4930	74.1	79.9	83.4	83.5	82.4	81.2	76.9

Date	Document #	Approved By	Revision
01.06.18	SD0013	CM	B

NOTE: Due to continuous improvement Rinnai Australia Pty Ltd reserve the right to change details



CA 20 CONTROLLER

SOFTWARE CODE: U2.3

IMPORTANT NOTE:
SCROLL COMPRESSORS ARE ROTATIONALLY SENSITIVE, IF NOISY OR NOT PUMPING, CHANGE ANY OF TWO PHASES.


WARNING! THE SOFTWARE OF THE CA20 CONTROLLER IS NOT DESIGNED TO FUNCTION AS A PRIMARY PERSONAL SAFETY DEVICE, AS CONNECTED EQUIPMENT CAN START AUTOMATICALLY WITHOUT WARNING. ALSO, OPENING THERMOSTAT CONTACTS MAY NOT CAUSE THE EQUIPMENT TO STOP. OUTDOOR FAN MOTORS HAVE INTERNAL OVERLOADS AND MAY RESTART AUTOMATICALLY.

- NOTES:**
- TIME DELAY GLASS FUSES ON THE PCB CONTROLLER ARE THE FOLLOWING:
 - F1 PROTECTS THE THERMOSTAT CIRCUIT.
 - F2 PROTECTS THE REVERSING VALVE CIRCUITS AND THE "HEAT" OUTPUT. THIS FUSE F2 ALSO SUPPLIES FUSE F1.
 - F3 PROTECTS BOTH COMPRESSOR CONTACTOR CIRCUITS AND THE INDOOR FAN CONTACTOR CIRCUIT.
 - OPTIONAL 24VAC POWER SUPPLY AND 0-10V TERMINALS FOR ECONOMY CYCLE DAMPER MOTORS
 - HP CUT OUT , LP CUT OUT - AUTO RESET.
 - THERMAL OVERLOAD RELAYS - AUTO RESET, UNLESS OTHERWISE STATED.
 - DO NOT CONNECT ANY ADDITIONAL EQUIPMENT TO THE CONTROL TRANSFORMER OTHER THAN THE EQUIPMENT SHOWN ON THE ELECTRICAL DRAWING.
 - ALL FIELD WIRING IS THE RESPONSIBILITY OF THE INSTALLING CONTRACTOR AND MUST COMPLY WITH AS/NZS 3000 AND LOCAL RULES.
 - SOFTWARE CODE MUST BE CHECKED AFTER REPLACEMENT OF THE CA-20 CONTROLLER BY CHECKING THE DISPLAY CODE ON THE 7 SEGMENT DISPLAY AFTER THE CONTROLLER IS ACTIVATED.
 - OPTIONAL FIRE ALARM RELAY

JUMPERS SELECTION	DEFROST INTERVAL TIME SETTING	JUMPERS SELECTION	AUTO LEAD/LAG	JUMPERS SELECTION	SPEED UP
1 2 ○ ○	15 min	3 ○	OFF	4 ○	OFF
1 2 ■ ○	FACTORY SETTING 30 min	3 ■	ON	4 ■	ON
1 2 ■ ■	45 min	3 ■	ON	4 ■	ON

UNIT MUST BE SWITCHED OFF BEFORE CHANGING THE JUMPER SELECTION

LEGEND		LEGEND		COLOUR CODE		COMPRESSOR (EACH)		MODEL: P095AHR3SA	
○	TERMINAL SWITCHBOARD	TOL	THERMAL OVERLOAD RELAY	r	RED	KW	11.60	OPTIONS DESCRIPTION	
⊗	TERMINAL	R	CONTACTOR	w	WHITE	RATED CURRENT	34.00		
- - -	FIELD WIRING	C	CONTACTOR OF COMPRESSOR	b	BLUE	O/L SETTING	37.40	STANDARD	
- - -	CONTROL PARAMETER	COMP	COMPRESSOR ISOLATOR SWITCH	bk	BLACK	FANS (EACH) KW	FLA		
- - -	MAINS/CONTROL WIRING	MCB	MINIATURE CIRCUIT BREAKER	bn	BROWN	OUTDOOR	0.93	1.50	
CCH	CRANK CASE HEATER	CCB	CONTROL CIRCUIT BREAKER	o	ORANGE	INDOOR	2.82	4.30	
PFR	PHASE FAILURE RELAY	O/L	OVERLOAD	p	PINK				
RV	REVERSING VALVE	POT	POTENTIOMETER	pl	PURPLE				
HP	HIGH PRESSURE SWITCH			gy	GREY				
LP	LOW PRESSURE SWITCH			yell	YELLOW				



apac
by Rinnai

DATE	17/06/2018		
DWN	S.P	APPD	ENG
REV	A	GRID	B80
DWG No.	EWS02077		