



**HPU HANDING CONFIRMATION**

SO NUMBER  
(INTERNAL USE)

WO NUMBER  
(INTERNAL USE)

**ROOF TOP PACKAGED UNITS (RTU)**

<b>GENERAL</b>	This document details the airside configurations available on HPU models.
<b>SOURCING</b>	Standard configuration is detailed in the unit general arrangement drawings. Optional airside configurations to be specified at time of order.
<b>HOW TO USE THIS DOCUMENT</b>	<ol style="list-style-type: none"> <li>1. Choose if the supply air position is required on the left, on the right, or centred.</li> <li>2. Circle the required supply air outlet.</li> <li>3. Circle the required return air inlet.</li> <li>4. Complete the information at the bottom of this document and return to your APAC representative.</li> </ol>

**LEFT HAND SUPPLY AIR APPLICABLE MODELS – P012-095AHR3SA**

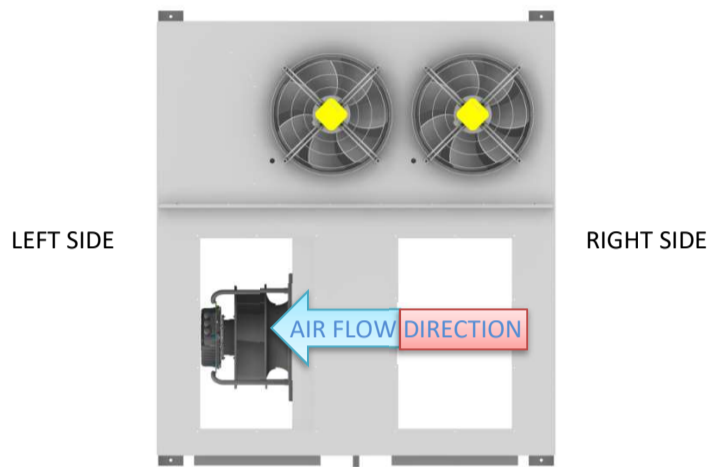


Fig1. Left hand unit top view

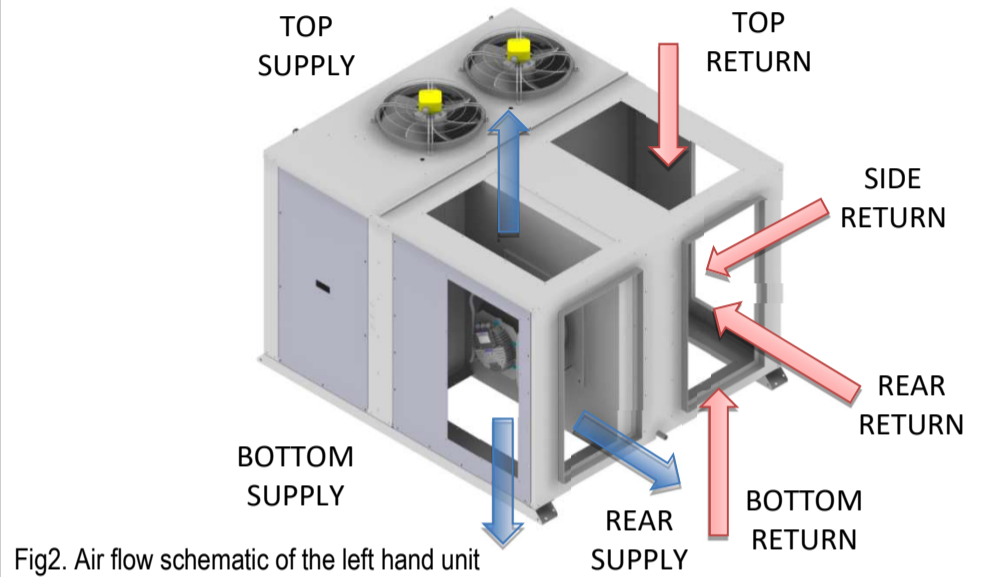


Fig2. Air flow schematic of the left hand unit

**RIGHT HAND SUPPLY AIR APPLICABLE MODELS – P012-095AHR3SA**

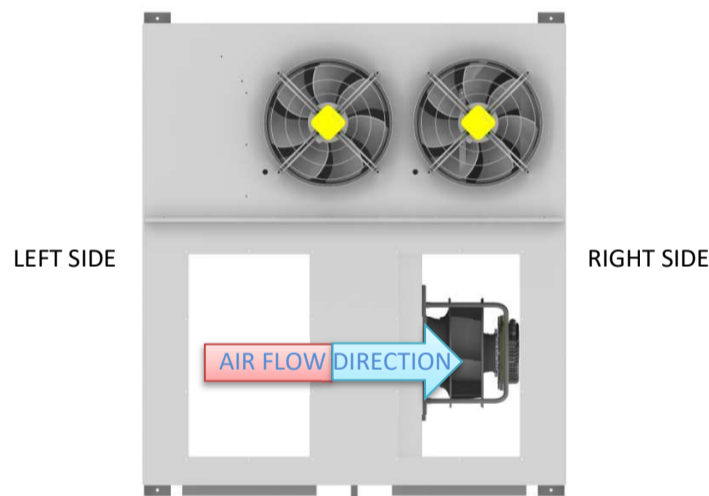


Fig3. Right hand unit top view

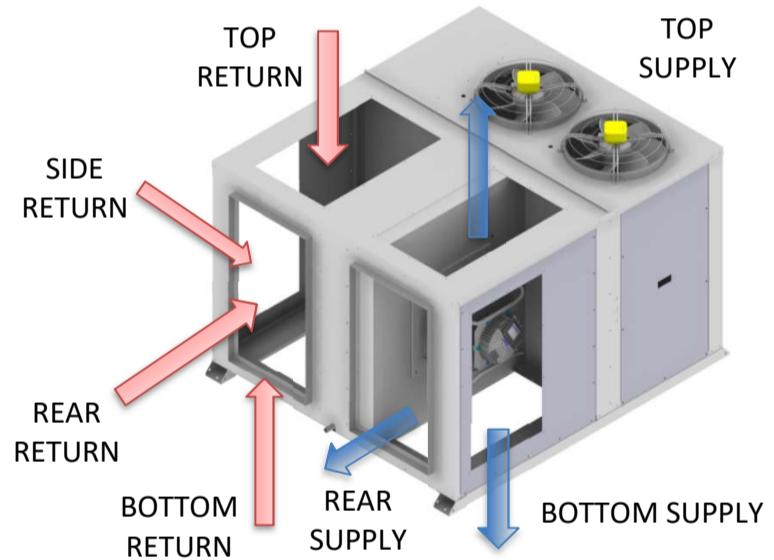


Fig4. Air flow schematic of the right hand unit

**CENTRED SUPPLY AIR APPLICABLE MODELS – P085-095AHR3SA OPTION – P115-170AHR3SA STANDARD**

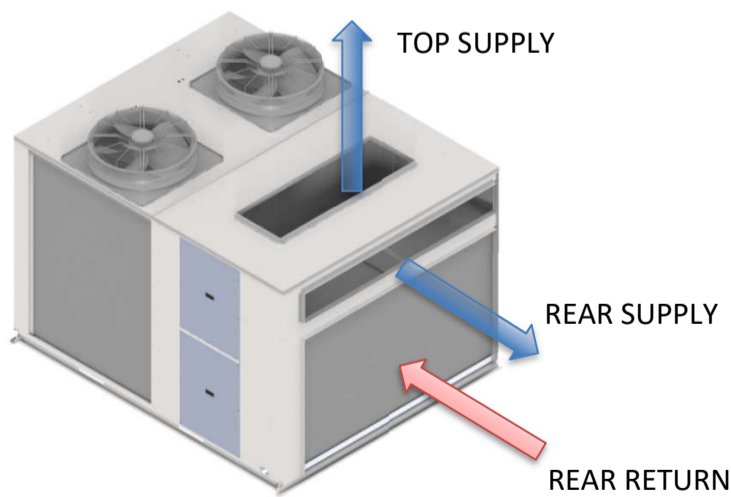


Fig5. Air flow schematic of the centred unit from above

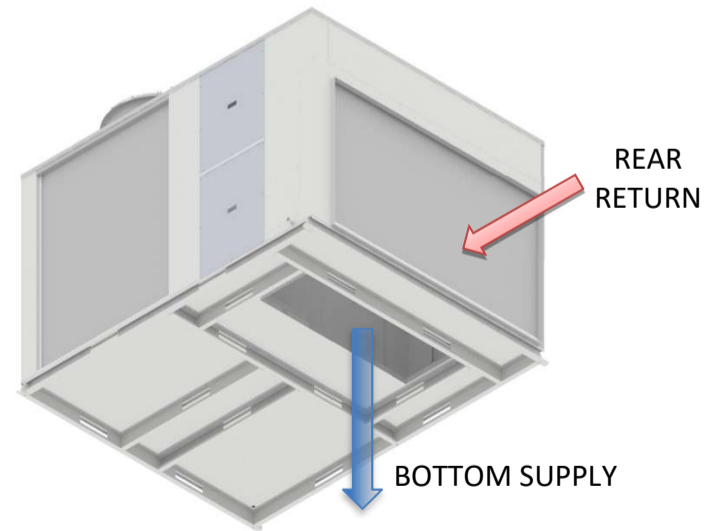
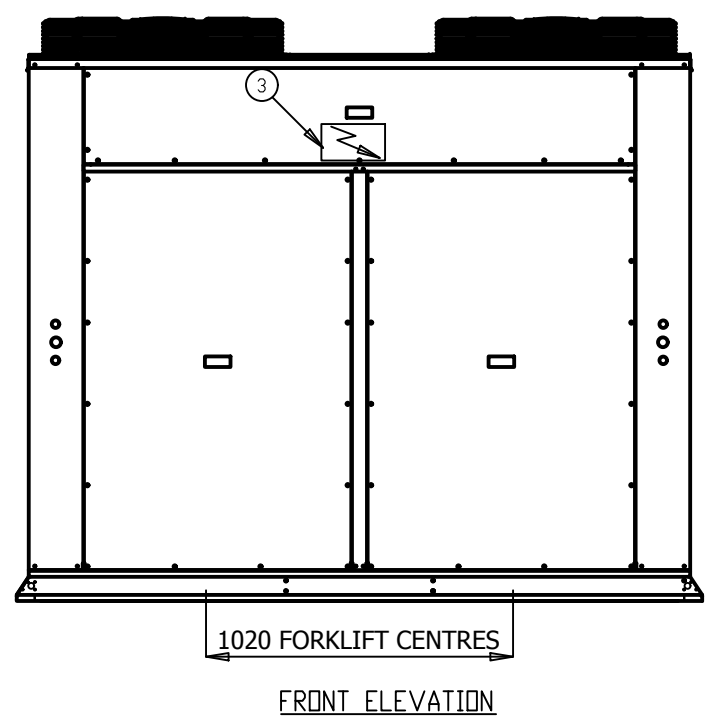
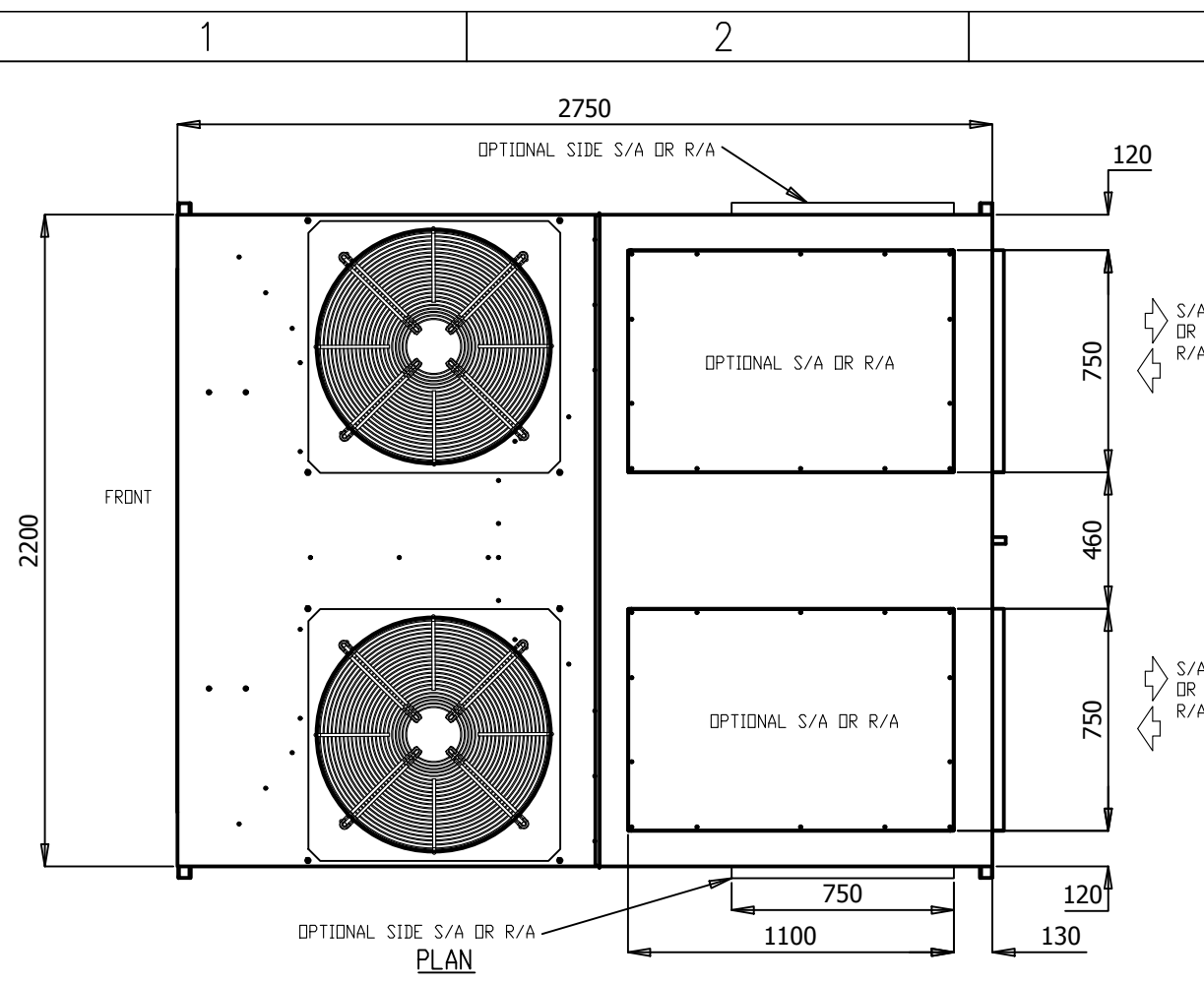


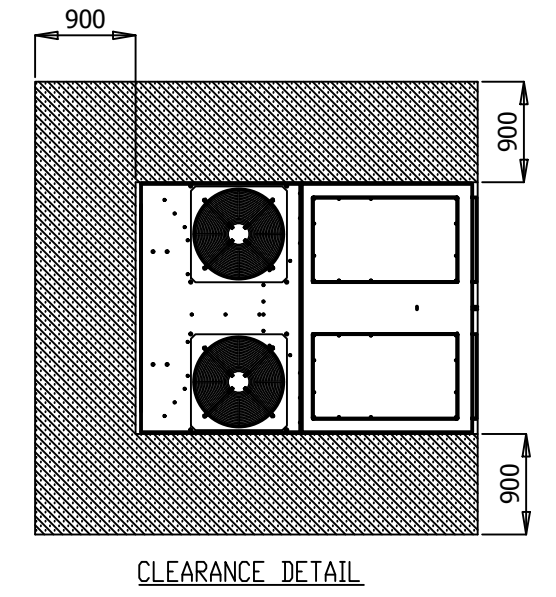
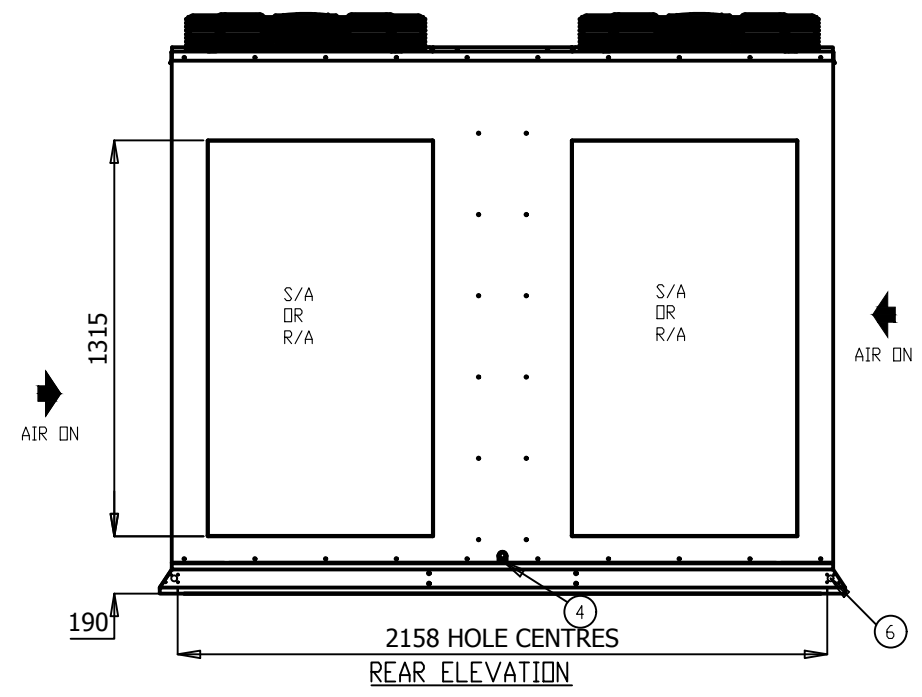
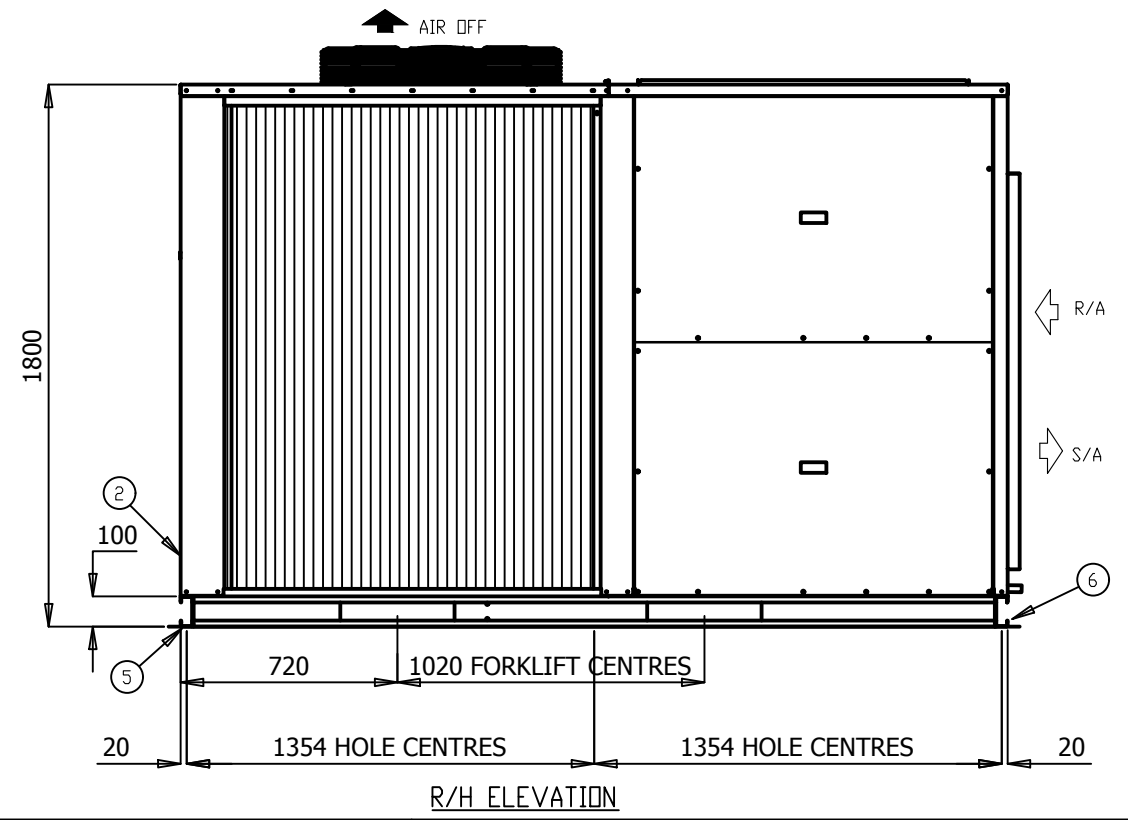
Fig6. Air flow schematic of the centred unit from below

**CUSTOMER TO COMPLETE AND RETURN**

CUSTOMER	PROJECT	UNIT REF	NAME / SIGN	DATE



- NOTES:
1. GENERAL ARRANGEMENT OF A HORIZONTAL AIR COOLED PACKED UNIT
  2. POWER AND FIELD CABLE ENTRIES, 1 x 32 $\phi$  AND 2 x 25 $\phi$
  3. ELECTRICAL PANEL LOCATED BEHIND SERVICE ACCESS
  4. CONDENSATE OUTLET 32 $\phi$
  5. UNIT BASE 6 x 16 $\phi$  FIXING POINTS
  6. UNIT HAS 4 x 20 $\phi$  LIFTING POINTS
  7. UNIT CONFIGURATION AS STANDARD IS REAR LEFT SUPPLY, REAR RIGHT RETURN, OTHER CONFIGURATIONS AVAILABLE.
  8. UNIT CONFIGURATION CAN BE CONVERTED IN FIELD WITH OPTIONAL ACCESSORIES.



- ALL DIMENSIONS IN mm.
- GENERAL TOLERANCE  $\pm 1$ mm.
- DO NOT SCALE DRAWING.
- MASTER DRAWINGS ARE HELD ELECTRONICALLY. ANY COPY IS DEEMED UNCONTROLLED AND THEREFORE NOT NECESSARILY THE LATEST REVISION.
- ALL INFORMATION REMAINS THE PROPERTY OF THE COMPANY.

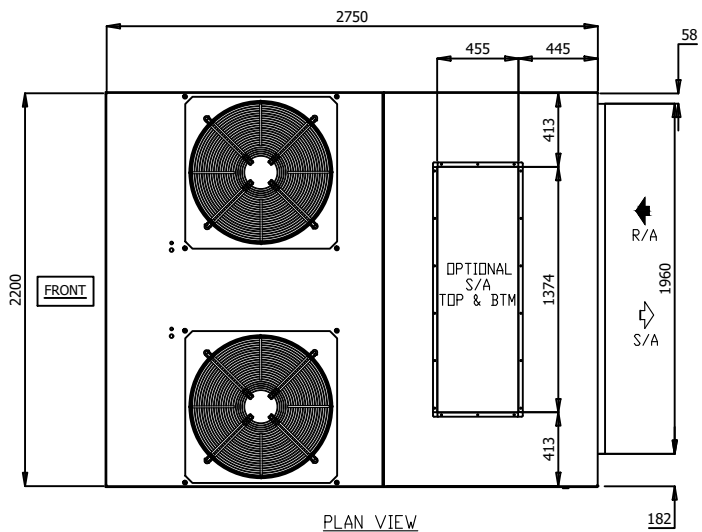
# GENERAL ARRANGEMENT

P085AHR3SA- P095AHR3SA-

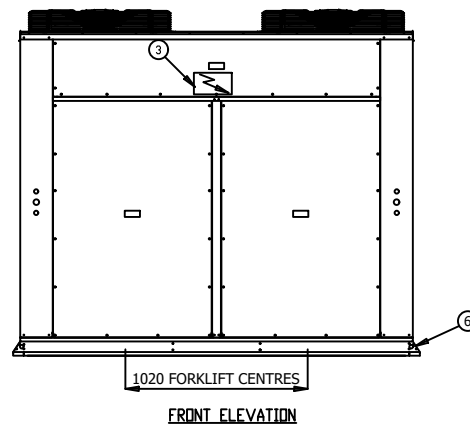
www.apacair.com.au

ABN: 74 005 138 769

REVISION	REVISED NAMEPLATE WITH APAC DETAILS				
		DRAWN	MT	DRAWING No.	A4
	ATLANTIC DR. KEYSBOROUGH VIC 3173	DATE	23.01.14	<b>GAD0010</b>	
	1300 555 545	SCALE	N.T.S.		
		CHECKED	HA	APP'D.	CM



PLAN VIEW

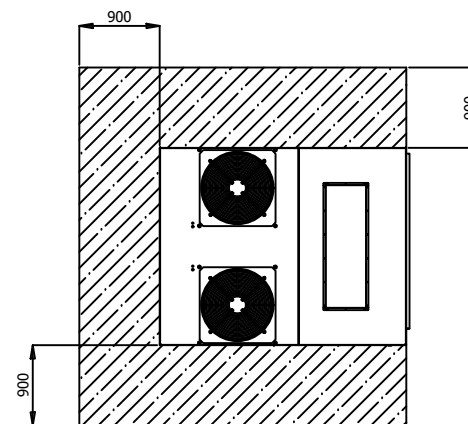


FRONT ELEVATION

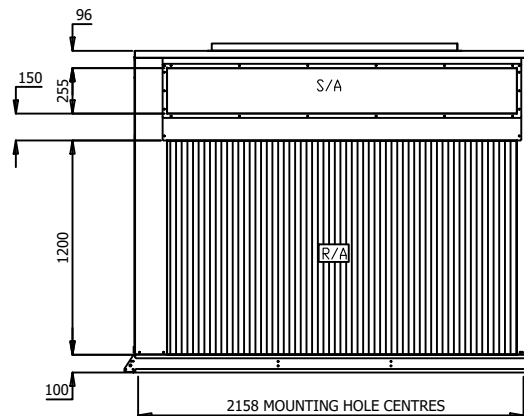
FRONT VIEW

NOTES:

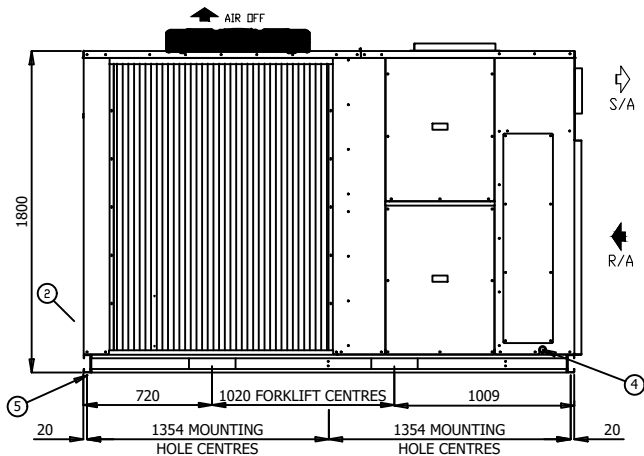
1. GENERAL ARRANGEMENT OF A HORIZONTAL AIR COOLED PACKED UNIT
2. POWER AND FIELD CABLE ENTRIES, 1 x 32 $\phi$  AND 2 x 25 $\phi$
3. ELECTRICAL PANEL LOCATED BEHIND SERVICE ACCESS
4. CONDENSATE OUTLET 1 x 32mm $\phi$  ON SIDE OF ENCLOSURE
5. UNIT BASE HAS 6 x 16 $\phi$  FIXING POINTS
6. UNIT HAS 4 x 20 $\phi$  LIFTING POINTS
7. UNIT CONFIGURATION AS STANDARD IS REAR SUPPLY, REAR RETURN, OTHER CONFIGURATIONS AVAILABLE.
8. UNIT CONFIGURATION CAN BE CONVERTED IN FIELD WITH OPTIONAL ACCESSORIES.



CLEARANCE DETAIL



REAR VIEW



RIGHT SIDE VIEW

- ALL DIMENSIONS IN mm.
- GENERAL TOLERANCE  $\pm 1$ mm.
- DO NOT SCALE DRAWING.
- MASTER DRAWINGS ARE HELD ELECTRONICALLY. ANY COPY IS DEEMED UNCONTROLLED AND THEREFORE NOT NECESSARILY THE LATEST REVISION.
- ALL INFORMATION REMAINS THE PROPERTY OF THE COMPANY.

GENERAL ARRANGEMENT

P095AHR3SA-CRR

www.apacair.com.au

ABN: 74 005 138 769

REVISION	REVISED NAMEPLATE WITH APAC DETAILS				
 ATLANTIC DR. KEYSBOROUGH VIC 3173 1300 555 545	DRAWN	MT	DRAWING No.	A4	
	DATE	25.03.18	GAD0130		
	SCALE	N.T.S.			
CHECKED	HA	APP'D.	CM	REV.	B

# TECHNICAL DATA SHEET

MODEL NUMBER		P055AHR3SA-	P065AHR3SA-	P075AHR3SA-	P085AHR3SA-	P095AHR3SA-	
MEPS REGISTRATION NUMBER		AAC3206	AAC3215	N/A	N/A	N/A	
CONDENSER SECTION	<b>CAPACITY</b>						
	Cooling	kW TOTAL*	52.98	63.89	72.95	83.74	94.04
		kW SENSIBLE*	44.29	54.50	58.51	69.34	77.49
		EER (kW / ikW)*	3.06	3.28	3.49	3.47	3.24
	Heating	kW TOTAL	54.40	65.00	73.40	84.30	96.08
		COP	3.40	3.61	3.59	3.60	3.60
	CAPACITY STEPS (%)		50/100	50/100	50/100	50/100	50/100
	<b>COMPRESSOR</b>						
	TYPE		SCROLL	SCROLL	SCROLL	SCROLL	SCROLL
	STARTER TYPE		D.O.L (Opt Soft/Start)	D.O.L (Opt Soft/Start)	D.O.L (Opt Soft/Start)	D.O.L (Opt Soft/Start)	D.O.L (Opt Soft/Start)
	PHASE		3Ø	3Ø	3Ø	3Ø	3Ø
	No. OFF		2	2	2	2	2
	PROTECTION DEVICES		HP SWITCH, LP SWITCH, MOTOR OVERLOAD'S				
	ALL COMPRESSORS HAVE		CRANKCASE HEATER				
	<b>FAN</b>						
	TYPE		AXIAL	AXIAL	AXIAL	AXIAL	AXIAL
	ikW (MAX INPUT)		0.97	0.93	0.93	0.93	0.93
	PHASE		3Ø	3Ø	3Ø	3Ø	3Ø
	No. OFF		2	2	2	2	2
	FAN SPEED CONTROL		VARIABLE SPEED	VARIABLE SPEED	VARIABLE SPEED	VARIABLE SPEED	VARIABLE SPEED
	<b>HEAT EXCHANGER</b>						
	TYPE		PLATE FIN COIL	PLATE FIN COIL	PLATE FIN COIL	PLATE FIN COIL	PLATE FIN COIL
	NOM. AIRFLOW l/s		-	-	-	-	-
<b>REFRIGERANT SYSTEM</b>							
TYPE		<b>R410A</b>					
CHARGE PER CIRCUIT (KG)		5.75	6.75	9.5	11	10.8	
No. OF CIRCUITS		2	2	2	2	2	
REFRIGERANT CONTROL		TXV					
ALL SYSTEMS INCLUDE		DRIERS & SIGHT GLASSES					
EVAPORATOR SECTION	<b>FAN</b>						
	TYPE		CENTRIFUGAL	CENTRIFUGAL	CENTRIFUGAL	CENTRIFUGAL	CENTRIFUGAL
	ikW (MAX INPUT)		3	2.73	2.73	2.82	2.82
	PHASE		3Ø	3Ø	3Ø	3Ø	3Ø
	No. OFF		1	2	2	2	2
	FAN SPEED CONTROL		VARIABLE SPEED	VARIABLE SPEED	VARIABLE SPEED	VARIABLE SPEED	VARIABLE SPEED
	<b>HEAT EXCHANGER</b>						
	TYPE		PLATE FIN COIL	PLATE FIN COIL	PLATE FIN COIL	PLATE FIN COIL	PLATE FIN COIL
NOM. AIRFLOW l/s		2880	3550	3750	4400	4930	
EXT STATIC pa		100					
COMBINED SECTIONS	<b>ELECTRICAL</b>						
	MAINS POWER		415v / 3Ø / 50hz	415v / 3Ø / 50hz	415v / 3Ø / 50hz	415v / 3Ø / 50hz	415v / 3Ø / 50hz
	H.P. CUT OUT / IN kPa		4500 / 3450	4500 / 3450	4500 / 3450	4500 / 3450	4500 / 3450
	L.P. CUT OUT / IN kPa		175 / 345	175 / 345	175 / 345	175 / 345	175 / 345
	NOM. R.L.A. (TOTAL SYSTEM)		31.1	35.5	38.1	43.6	56.4
	MAX. F.L.A. (TOTAL SYSTEM)		49.8	55.4	61.4	73.6	79.6
	<b>GENERAL</b>						
	CABINET		GALVANISED SHEET STEEL				
	INSULATION		ALUMINIUM FOIL FACED POLYETHYLENE ACOUSTIC INSULATION				
	EXTERNAL FINISH		POLYESTER POWDER COAT - COLOUR LIGHT GREY AS STANDARD - OPTIONS AVAILABLE				
	<b>DIMENSIONS</b>						
	H X W X D (mm)		1390 x 1850 x 2400	1595 x 2200 x 2400		1800 x 2200 x 2750	
	<b>WEIGHT</b>						
	OPERATING KG		730	900	920	1060	1070
SHIPPING KG		735	905	925	1065	1075	
<b>NOISE LEVELS [Based on condenser fan's sound data]</b>							
Sound Power db(A)		70.9	71.5	71.5	71.5	71.5	

**Note:** Rated in accordance with Australian standard AS/NZS 3823.1:2012  
 Performance excludes ikW of evaporator fan motor.  
 R.L.A - Run Load Amps are based on current drawn at nominal conditions  
 F.L.A - Full Load Amps are based on the overload settings [Max Current] of all Compressor and Fan Motor(s).

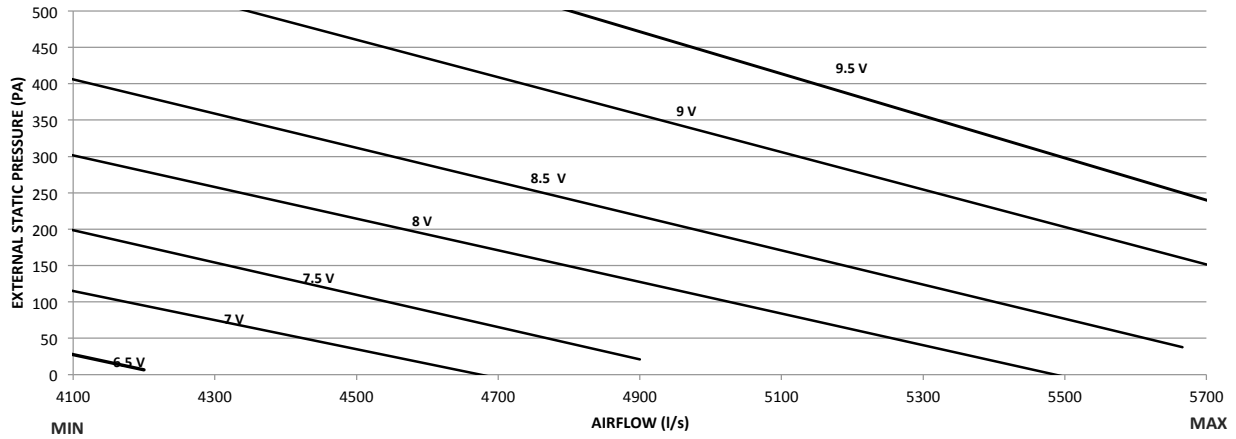
Date	Document #	Approved By	Revision
31/05/18	TDS0018	CM	D

**NOTE:** Due to continuous improvement Rinnai Australia Pty Ltd reserve the right to change details without notice.

## FAN PERFORMANCE CURVE

**P095AHR3SA-**

**FAN PERFORMANCE CURVE P095AHR3SA-**



Note:

1. 6.5 V, 7V, 7.5V, 8V, 8.5V, 9V and 9.5V represents potentiometer voltage. Potentiometer can be adjusted to achieve desired flowrates.
2. Potentiometer voltage can be varied infinitely between 0 to 10V.

Date	Document #	Approved By	Revision
28.05.18	FPC0022	CM	D

**NOTE: Due to continuous improvement Rinnai Australia Pty Ltd reserve the right to change details without notice.**



## SOUND DATA

**MODEL NUMBER**

**P095AHR3SA-**

### Outdoor Fan

Sound Power Level dB(A)	Octave band Centre Frequency (Hz), dB						
	125	250	500	1k	2k	4k	8k
71.5	73.9	68.9	66.5	64.6	65.7	62	58.4

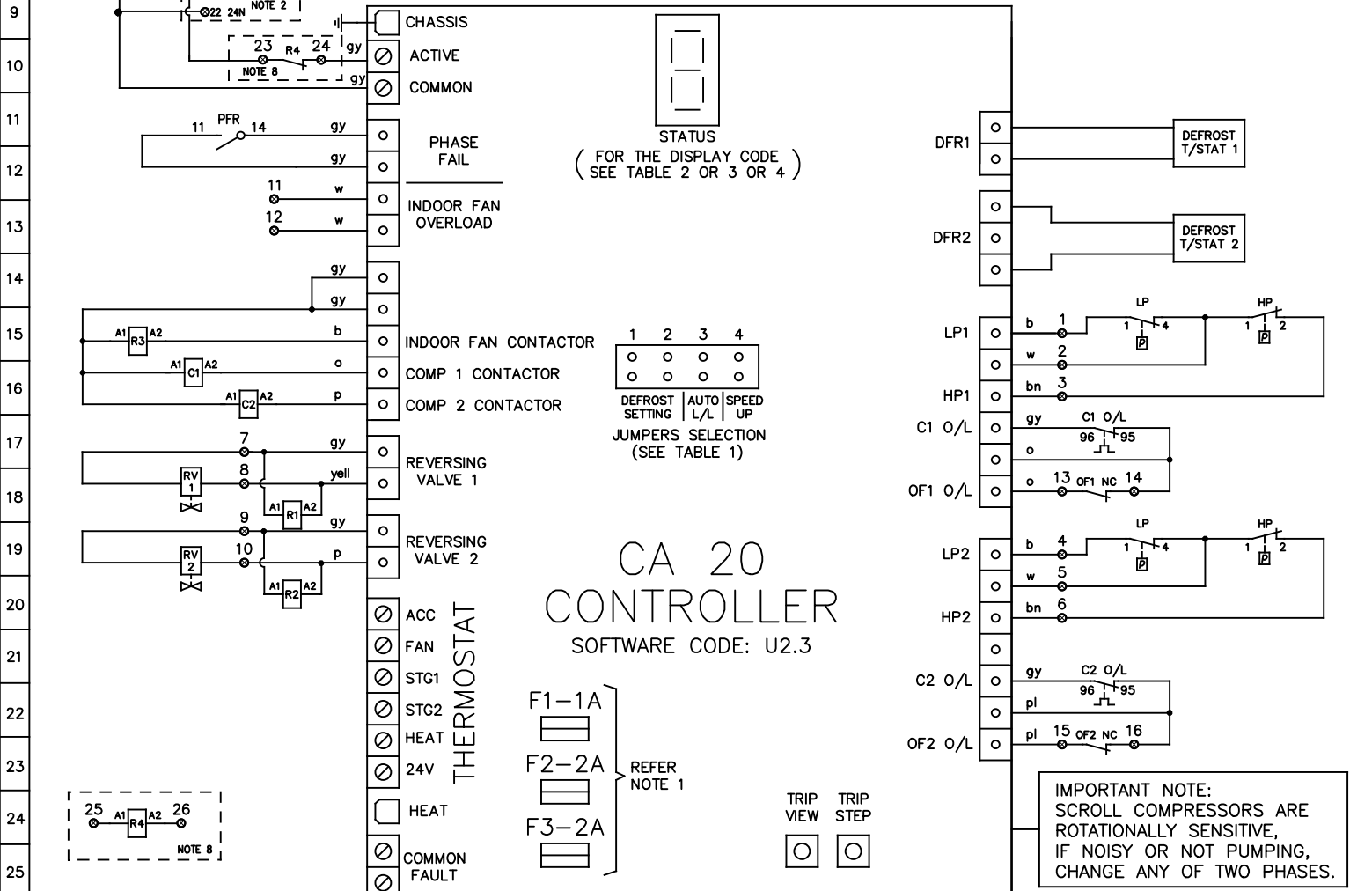
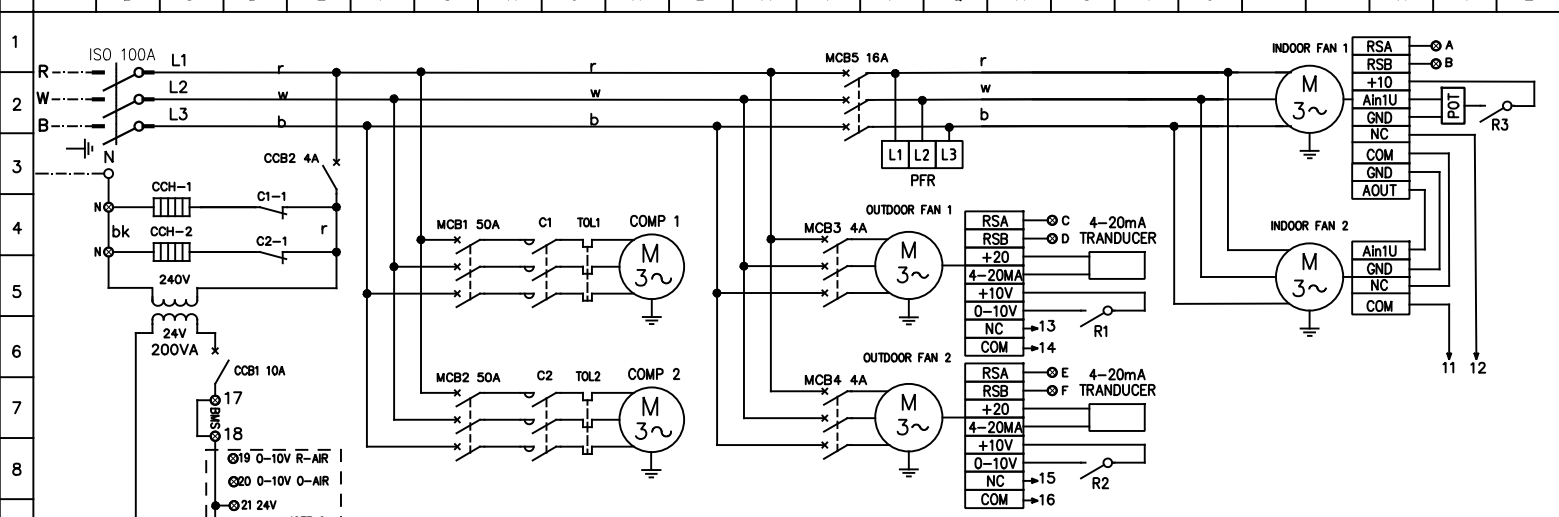
### Indoor Fan

Sound Power Level dB(A)	Air Flow (l/s)	Octave band Centre Frequency (Hz), dB						
		125	250	500	1k	2k	4k	8k
88.9	4930	74.1	79.9	83.4	83.5	82.4	81.2	76.9

Date	Document #	Approved By	Revision
01.06.18	SD0013	CM	B

**NOTE: Due to continuous improvement Rinnai Australia Pty Ltd reserve the right to change details**





# CA 20 CONTROLLER

SOFTWARE CODE: U2.3

**IMPORTANT NOTE:**  
SCROLL COMPRESSORS ARE ROTATIONALLY SENSITIVE, IF NOISY OR NOT PUMPING, CHANGE ANY OF TWO PHASES.


**WARNING!** THE SOFTWARE OF THE CA20 CONTROLLER IS NOT DESIGNED TO FUNCTION AS A PRIMARY PERSONAL SAFETY DEVICE, AS CONNECTED EQUIPMENT CAN START AUTOMATICALLY WITHOUT WARNING. ALSO, OPENING THERMOSTAT CONTACTS MAY NOT CAUSE THE EQUIPMENT TO STOP. OUTDOOR FAN MOTORS HAVE INTERNAL OVERLOADS AND MAY RESTART AUTOMATICALLY.

- NOTES:**
- TIME DELAY GLASS FUSES ON THE PCB CONTROLLER ARE THE FOLLOWING:
    - F1 PROTECTS THE THERMOSTAT CIRCUIT.
    - F2 PROTECTS THE REVERSING VALVE CIRCUITS AND THE "HEAT" OUTPUT. THIS FUSE F2 ALSO SUPPLIES FUSE F1.
    - F3 PROTECTS BOTH COMPRESSOR CONTACTOR CIRCUITS AND THE INDOOR FAN CONTACTOR CIRCUIT.
  - OPTIONAL 24VAC POWER SUPPLY AND 0-10V TERMINALS FOR ECONOMY CYCLE DAMPER MOTORS
  - HP CUT OUT , LP CUT OUT - AUTO RESET.
  - THERMAL OVERLOAD RELAYS - AUTO RESET, UNLESS OTHERWISE STATED.
  - DO NOT CONNECT ANY ADDITIONAL EQUIPMENT TO THE CONTROL TRANSFORMER OTHER THAN THE EQUIPMENT SHOWN ON THE ELECTRICAL DRAWING.
  - ALL FIELD WIRING IS THE RESPONSIBILITY OF THE INSTALLING CONTRACTOR AND MUST COMPLY WITH AS/NZS 3000 AND LOCAL RULES.
  - SOFTWARE CODE MUST BE CHECKED AFTER REPLACEMENT OF THE CA-20 CONTROLLER BY CHECKING THE DISPLAY CODE ON THE 7 SEGMENT DISPLAY AFTER THE CONTROLLER IS ACTIVATED.
  - OPTIONAL FIRE ALARM RELAY

JUMPERS SELECTION	DEFROST INTERVAL TIME SETTING	JUMPERS SELECTION	AUTO LEAD/LAG	JUMPERS SELECTION	SPEED UP
1 2 ○ ○	15 min	3 ○	OFF	4 ○	OFF
1 2 ■ ○	FACTORY SETTING 30 min	3 ■	ON	4 ■	ON
1 2 ■ ■	45 min	3 ■	ON	4 ■	ON

UNIT MUST BE SWITCHED OFF BEFORE CHANGING THE JUMPER SELECTION

LEGEND		LEGEND		COLOUR CODE		COMPRESSOR (EACH)		MODEL: P095AHR3SA	
○	TERMINAL SWITCHBOARD	TOL	THERMAL OVERLOAD RELAY	r	RED	KW	11.60	OPTIONS DESCRIPTION	
⊗	TERMINAL	R	CONTACTOR	w	WHITE	RATED CURRENT	34.00		
- - -	FIELD WIRING	C	CONTACTOR OF COMPRESSOR	b	BLUE	O/L SETTING	37.40	STANDARD	
- - -	CONTROL PARAMETER	COMP	COMPRESSOR ISOLATOR SWITCH	bk	BLACK	FANS (EACH) KW	FLA		
- - -	MAINS/CONTROL WIRING	MCB	MINIATURE CIRCUIT BREAKER	bn	BROWN	OUTDOOR	0.93	1.50	
CCH	CRANK CASE HEATER	CCB	CONTROL CIRCUIT BREAKER	o	ORANGE	INDOOR	2.82	4.30	
PFR	PHASE FAILURE RELAY	O/L	OVERLOAD	p	PINK				
RV	REVERSING VALVE	POT	POTENTIOMETER	pl	PURPLE				
HP	HIGH PRESSURE SWITCH			gy	GREY				
LP	LOW PRESSURE SWITCH			yell	YELLOW				



**apac**  
by Rinnai

DATE	17/06/2018		
DWN	S.P	APPD	ENG
REV	A	GRID	B80
DWG No.	EWS02077		